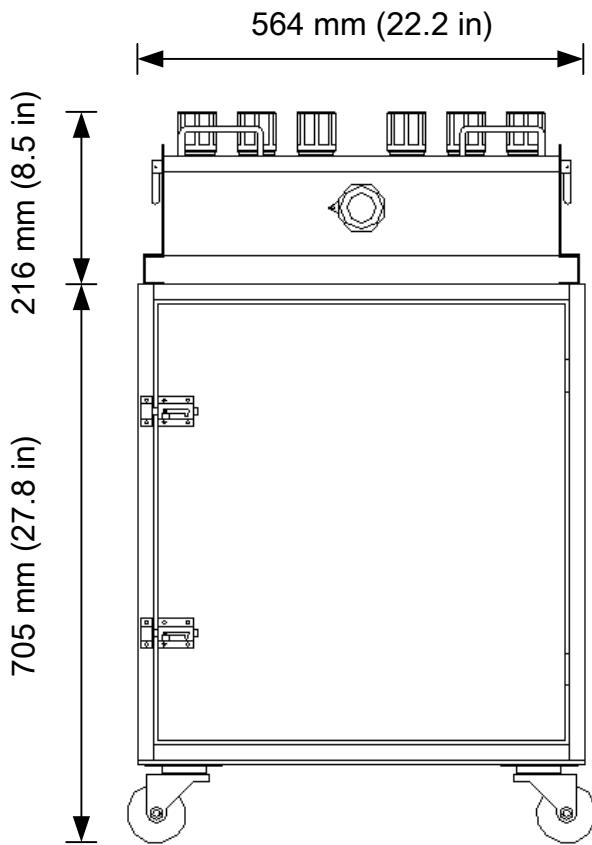




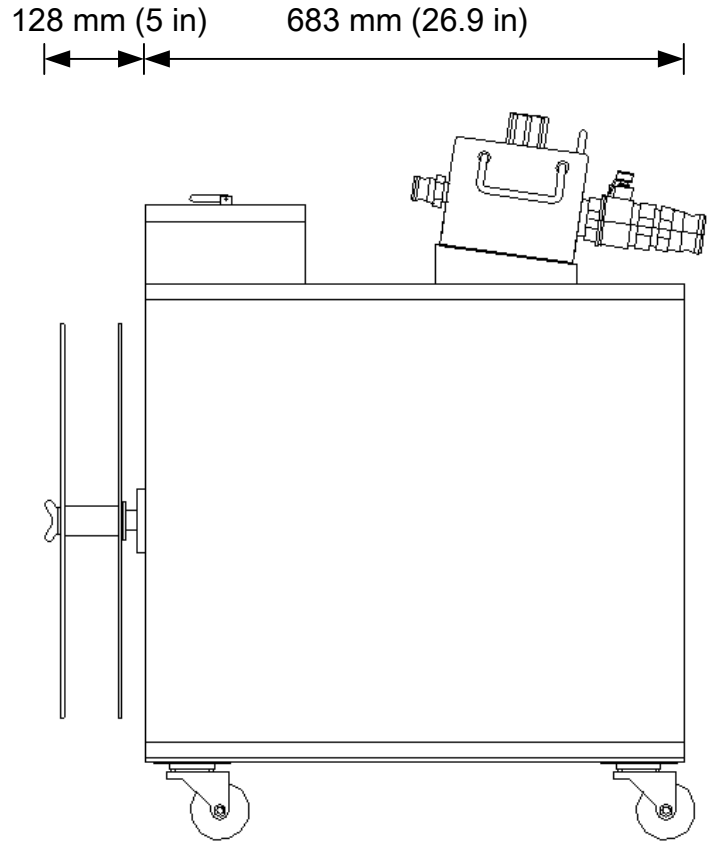
# Sunhow Air Bearing Module

## Dimensional Data Sheet

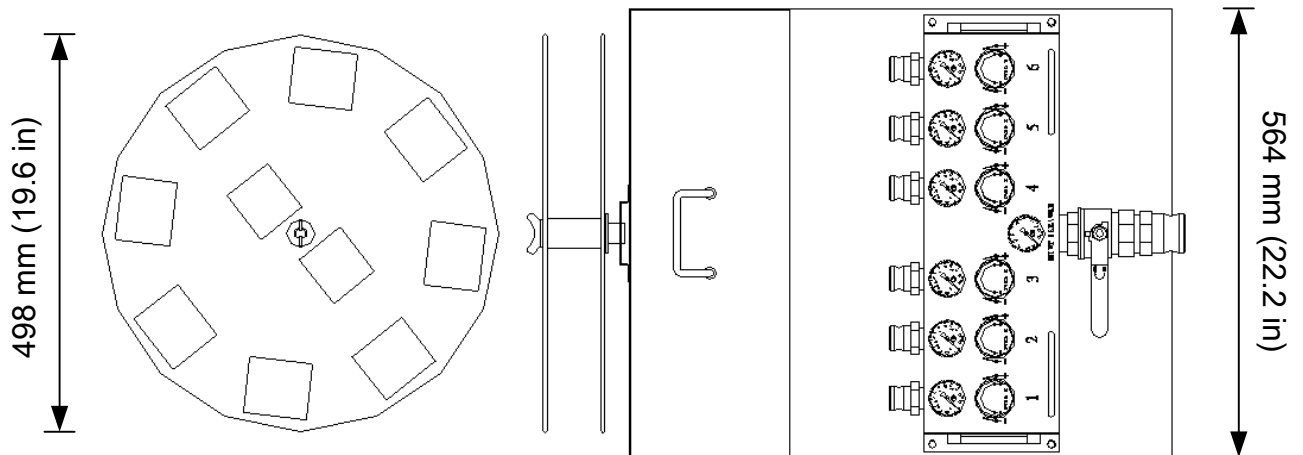
www.sunhow.net



Front View



Side View



Top View